

# PEMSERTER® 4

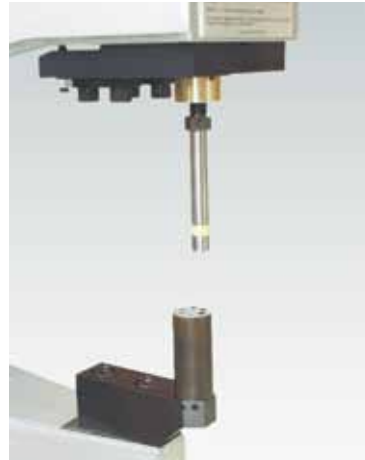
## Equipment

---

### Turret tools (revolving tools)

Used for installing self-clinching fasteners of different thread sizes.

**By rotating the turret anvil, retooling is accomplished in a matter of seconds.**



### Top mount reverse flange anvil holder

When a workpiece flange and fastener location prohibits the use of standard tooling, the use of a top mount reverse flange anvil holder will often solve the installation problem.

**Maximum force 40 kN.**



### Bottom mount reverse flange anvil holder

When a workpiece flange and fastener location prohibits the use of standard tooling, the use of a bottom mount reverse flange anvil holder will often solve the installation problem.

**Maximum force 27 kN.**

