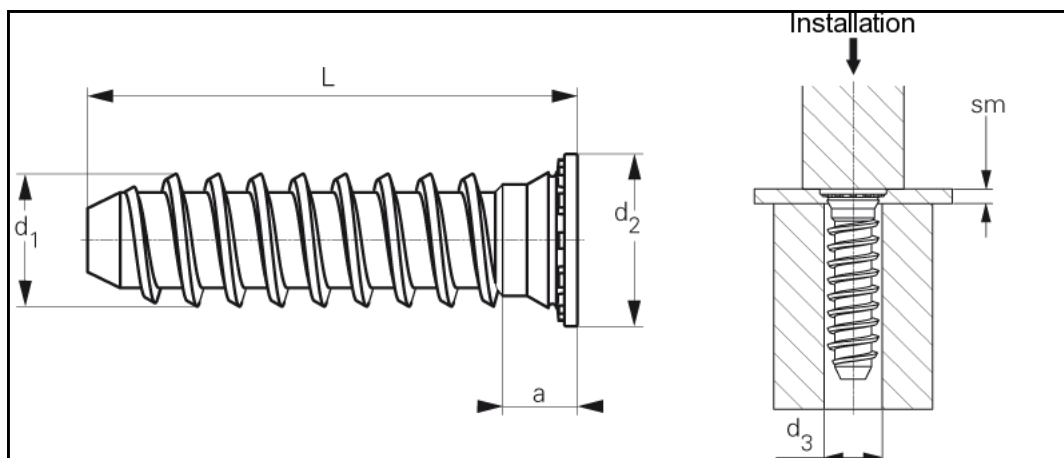


Data sheet - YQE-12958

Self-clinching flush head stud for sheet metal



3D-Data available	
Application	Self-clinching flush head studs with X-Press™ threads.
Order description	YQE-12958
Thread d1	5 x 1.6
Hole-Ø in the sheet +0.08 0	5.00 mm
d2 ±0.4	6.50 mm
d3	5.2 mm
Max. a	4.0 mm
Min. sm	1.0 mm
L ±0.4	17.5 mm
Min. edge distance up to the hole centre	7,2 mm
Material	Grade 9.8 through-hardened zinc-plated carbon steel (other finishes on request).
Use	For sheet hardnesses up to HRB 80.
	Other lengths upon request.
Tools	
Insertion machines	

uniform resource locator: