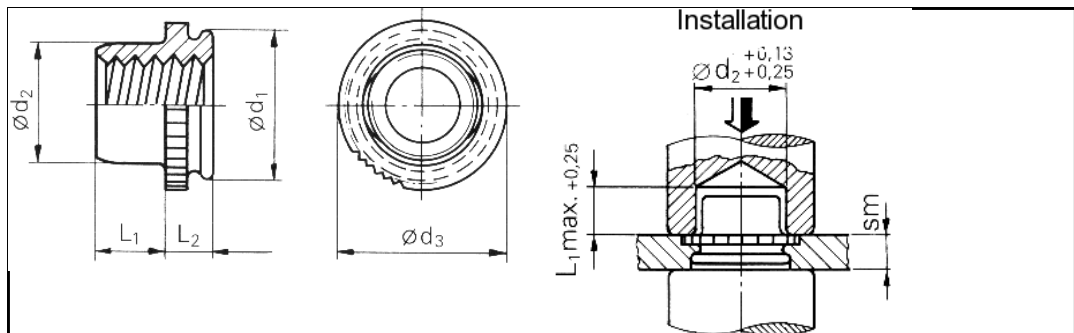


Data sheet - UL-M2-1

PEM® Miniatur-Einpressmuttern



3D-Data available	
Application	Space-saving model due to minimal outer dimensions. Self-locking effect due to elliptical form of the threaded nut top. (MIL-N-25027).
Order description	UL-M2-1
Thread	M2
Max. L2	0.79 mm
Min.-max. sm	0.8 - 0.9 mm
Ø d1 0 -0.13	3.60 mm
Hole-Ø in the sheet +0.08 0	3.6 mm
Max. Ø d2	2.5 mm
Ø d3 ±0.13	4.07 mm
L1 +0.4	1.65 mm
Min. edge distance up to the hole centre	2.8 mm
Material	Passivated grade 18/8 stainless steel (AISI 303) dry lubricating film.
Use	For sheet hardnesses up to HRB 70.
Tools	
Insertion machines	

uniform resource locator: