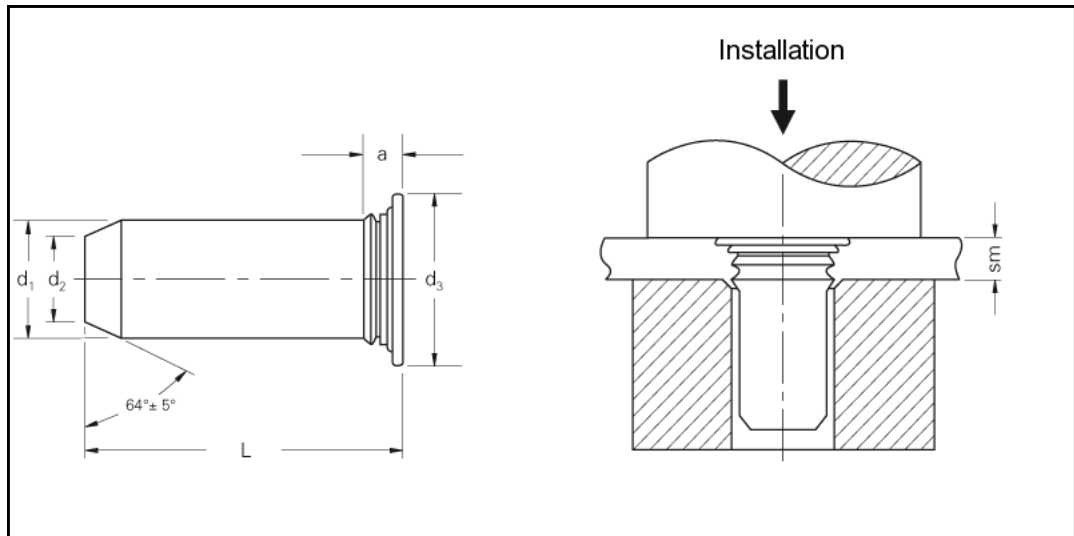


Data sheet - TPS-3MM-16

PEM® Einpressbolzen ohne Gewinde



3D-Data available	
Application	Unthreaded chamfered self-clinching pilot pins.
Order description	TPS-3MM-16
Pin d1 ±0.05	3 mm
Hole-Ø in the sheet +0.08 0	3.5 mm
d2 ±0.15	2.11 mm
d3 ±0.4	5.2 mm
Max. a	2.29 mm
Min. sm	1.0 mm
L ±0.4	16 mm
Min. edge distance up to the hole centre	6.4 mm
Material	Passivated grade 18/8 stainless steel (AISI 300).
Use	For sheet hardnesses up to HRB 70.
Tools	
Insertion machines	

uniform resource locator: