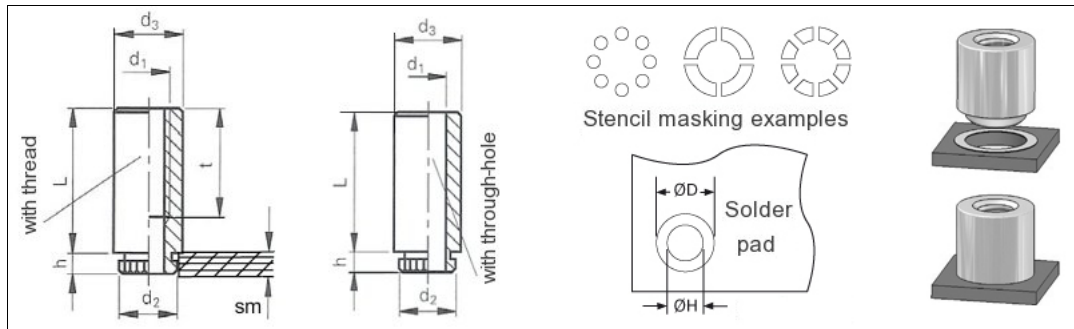


Data sheet - SMTSO-M2-4 gegurtet

PEM® SMT-fähige Gewindeträger



| | |
|--------------------------|--|
| 3D-Data available | |
| Version | Taped SMT-compliant standoffs for printed circuit boards. |
| Order description | SMTSO-M2-4 gegurtet |
| Thread d1 | M2 |
| Ø H in PCB +0.08 0 | 3.73 mm |
| Max. d2 | 3.60 mm |
| d3 ±0.13 | 5.56 mm |
| Max. h | 1.53 mm |
| Min. sm | 1.53 mm |
| Min. Ø D | 6.20 mm |
| L ±0.13 | 4.00 mm |
| Material | Tin-plated steel (conforming to RoHS). |
| Use | Taped version for printed circuit boards with plated through-holes and non-plated through-holes. |
| | . |

uniform resource locator: