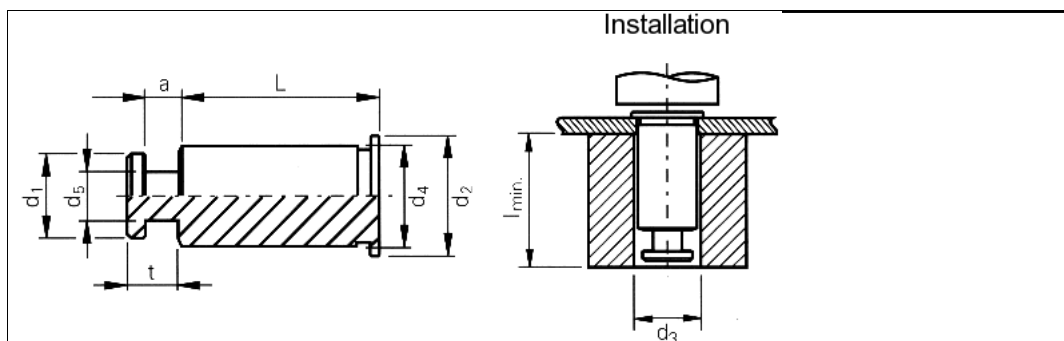


## Data sheet - SKC-61,5-14

### PEM® Distanzhalter



3D-Data available	
Order description	SKC-61,5-14
d1 ±0.08	4.5 mm
d2	6.35 mm
d3 +0.08 0	5.5 mm
Max. d4	5.39 mm
d5 ±0.08	2.51 mm
a ±0,08	1.73 mm
Max. t	2.75 mm
L 0 -0.13	14 mm
Material	Passivated grade 18/8 stainless steel (AISI 300).
Use	For sheet hardnesses up to HRB 70.
Tools	
Insertion machines	

uniform resource locator: