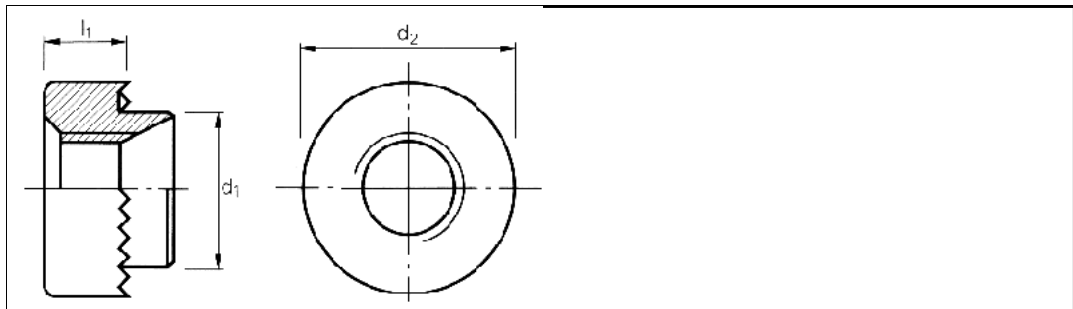


Data sheet - RHB-M3-16

PEM® Rundeinnietmuttern



3D-Data available	
Order description	RHB-M3-16
Thread	M3
Sheet thickness	1.5 mm
Hole-Ø +0.1 0	5.6 mm
d2 ±0.25	8.0 mm
l1 ±0.25	3.18 mm
d1 0 - 0.15	5.5 mm
Material	Zinc-plated steel.
Information	Through-hole standoffs, tank bushes and spacers on request. For obtaining high torque resistance in thin sheet metal even with high loads on both sides.
Installation	Punch or drill a hole, insert a rivet bush and rivet
	manually with customary riveting techniques using high-performance mounting presses like the PEMSERTER®3000, PEMSERTER®2000 and PEMSERTER®4.
	Other thread sizes and shank lengths on request
Tools	
Insertion machines	

uniform resource locator: