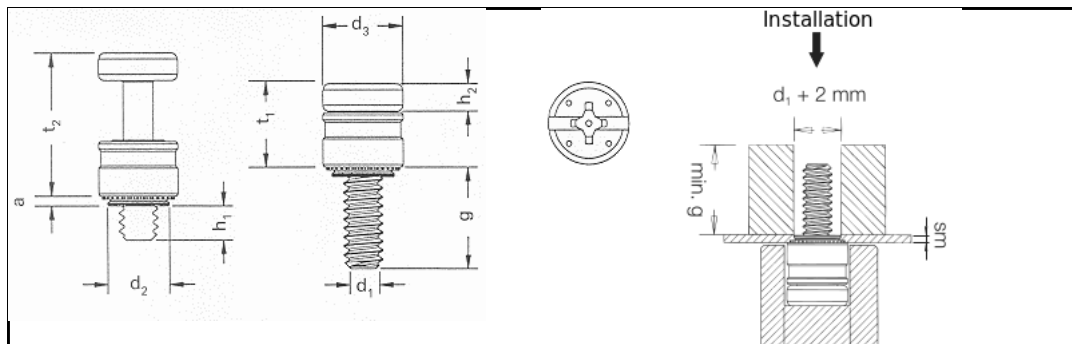


Data sheet - PFHV-M3-0

Self-clinching panel fasteners



3D-Data available	
Application	Solid self-clinching quick-coupling panel fasteners with a Phillips cross recess. Especially as captive screw for quick fixing and dismantling of covers, flaps, etc.
Order description	PFHV-M3-0
Thread d1	M3
Hole-Ø in the sheet +0.08 0	5.50 mm
Max. a	0.92 mm
Max. d2	5.49 mm
d3 ±0.25	6.95 mm
Min. sm	0.92 mm
g ±0.64	5.55 mm
h1 ±0.65	0 mm
h2 ±0.13	2.03 mm
t1 nom.	6.69 mm
t2 nom.	11.25 mm
Min. edge distance up to the hole centre	5.8 mm
Material	Screw and retainer made of nickel-plated steel.
Use	For sheet hardnesses up to HRB 60.
Tools	
Insertion machines	

uniform resource locator: