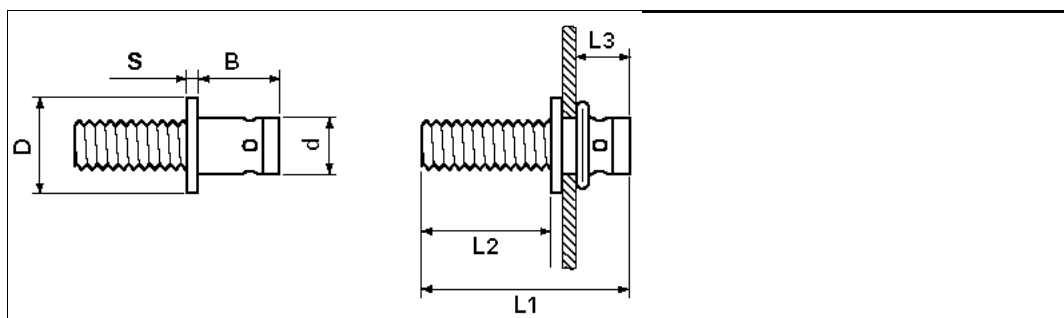


## Data sheet - M5x2010

### FASTEKS FILKO® - blind rivet studs flat head



3D-Data available	
Order description	M5x2010
Thread	M5
Grip range K	0.2-2.0 mm
Mounting hole- $\varnothing$ +0,1	6.6 mm
D	9.0 mm
S	0.75 mm
B	9.0 mm
d	6.5 mm
L1	18.0 mm
L2*	10.0 mm
L3*	4.5 mm
* Note	Lengths may vary depending on stroke adjusted
Material	Steel
	Other dimensions and materials on request

uniform resource locator: