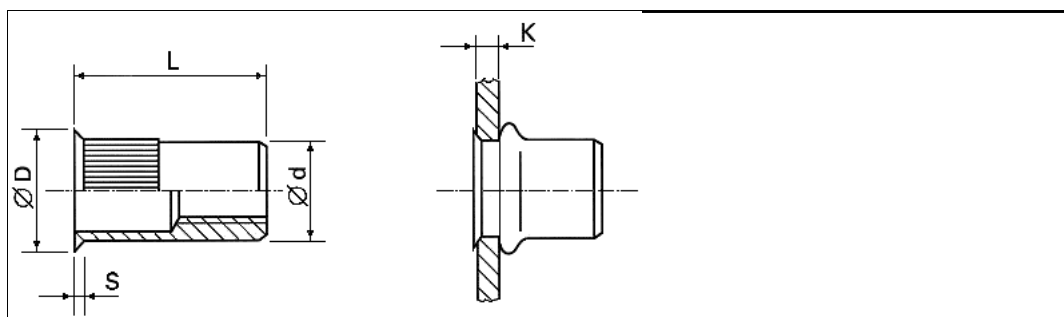


Data sheet - M4-36 R SK A2

FASTEKS FILKO® - Blindnietmuttern Senkkopf 90° / Rändelschaft / offen



3D-Data available	
Order description	M4-36 R SK A2
Thread	M4
Grip range K	1.5-3.5 mm
Mounting hole-Ø +0,1	6.0 mm
Ø d	6.0 mm
Ø D	9.0 mm
S	1.5 mm
L	11.5 mm
Material	Stainless steel 1.4567 (A2)
Hint	Countersinking of the drilled hole is necessary
	Other dimensions and materials on request

uniform resource locator: