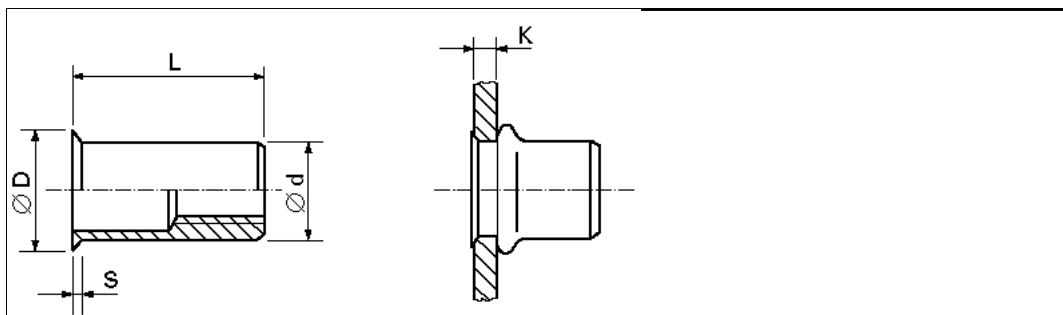


Data sheet - M3 UC FEKS 1,1

FASTEKS FILKO® - blind rivet nuts special small countersunk head / round shank / open



3D-Data available	
Order description	M3 UC FEKS 1,1
Thread	M3
Grip range K	up to 1.1 mm
Mounting hole-Ø +0,1	5.0 mm
Ø d	5.0 mm
Ø D	5.8 mm
S	0.3 mm
L	7.2 mm
Material	Steel Surface protection: Galvanized with thick coating passivation (RoHS compliant)
	Other dimensions and materials on request

uniform resource locator: