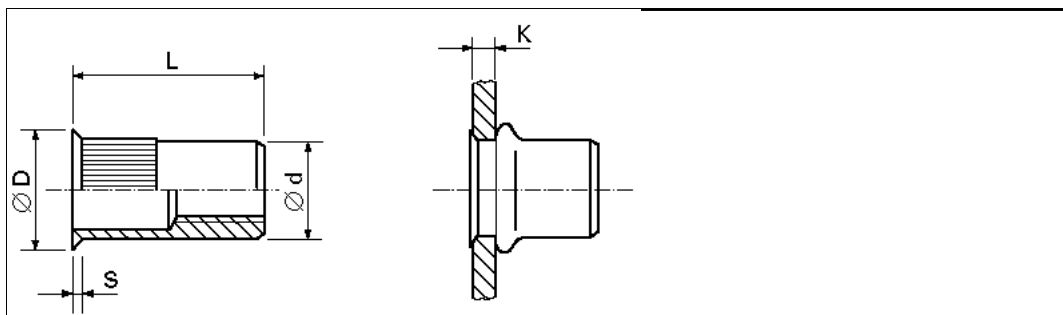


Data sheet - M3 RC ROKS 2,3

FASTEKS FILKO® - blind rivet nuts special small countersunk head /
knurled shank / open



3D-Data available	
Order description	M3 RC ROKS 2,3
Thread	M3
Grip range K	1.0-2.3 mm
Mounting hole-Ø +0,1	5.0 mm
Ø d	5.0 mm
Ø D	5.8 mm
S	0.3 mm
L	7.9 mm
Material	Stainless steel A2
	Other dimensions and materials on request

uniform resource locator: