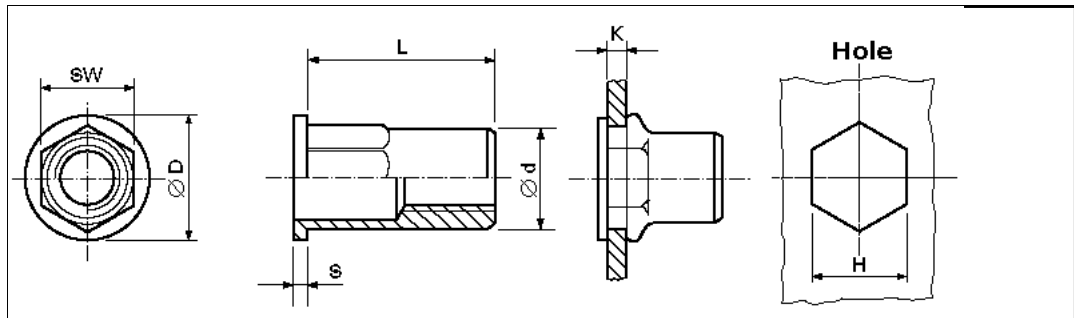


Data sheet - M3 HC ROF 3,0

FASTEKS FILKO® - Blindnietmuttern Flachkopf / 6-kant-Schaft / offen



3D-Data available	
Order description	M3 HC ROF 3,0
Thread	M3
Grip range K	2.3-3.0 mm
Mounting hole H +0,1	5.0 mm
Ø d/SW	5.0 mm
Ø D	7.0 mm
S	0.8 mm
L	8.5 mm
Material	Stainless steel A2
	Other dimensions and materials on request

uniform resource locator: