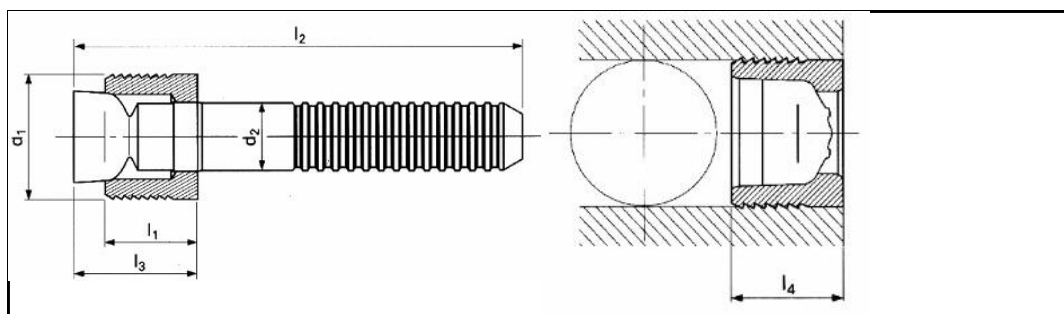


## Data sheet - LK 600-060

### Sealing Plugs for operating pressure up to 60 bar



3D-Data available	
Order description	LK 600-060
d1	6 mm
l1	5 mm
d2	3.40 mm
l2	36 mm
Max. l3	7.4 mm
Max. l4	5.3 mm
Bore diameter +0.12 0	6 mm
Sleeve material	Stainless steel 1.4305
Mandrel material	Stainless steel 1.4542
Time of delivery	On request
Packaging unit	100/1000

uniform resource locator: