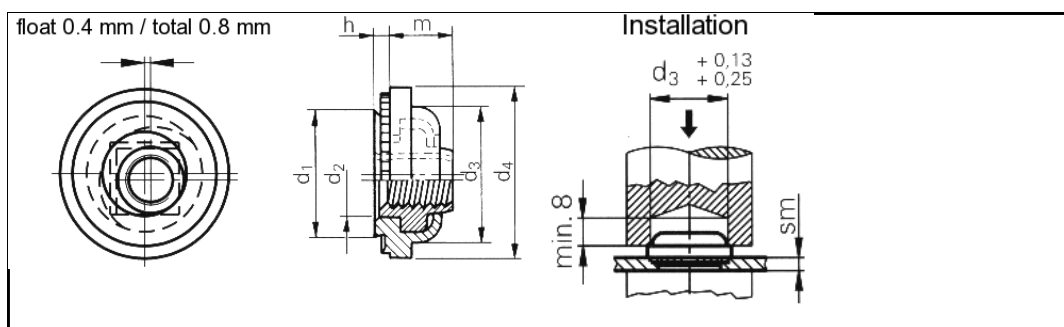


Data sheet - LAC-M3-1

Self-locking floating nuts



3D-Data available	
Application	The internal floating nut permits up to 0.8 mm adjustment for mating hole misalignment. Self-locking effect due to elliptical form of the threaded nut top.
Order description	LAC-M3-1
Thread d1	M3
Hole-Ø in the sheet +0.08 0	7.40 mm
Max. d2	7.35 mm
Max. d3	7.4 mm
d4 ±0.4	9.14 mm
Max. m	4.83 mm
Max. h	0.97 mm
Min. sm	1.0 mm
Min. edge distance up to the hole centre	7.62 mm
Material	Retainer and nut made of passivated grade 18/8 stainless steel (AISI 300).
Use	For sheet hardnesses up to HRB 70.
Tools	
Insertion machines	

uniform resource locator: