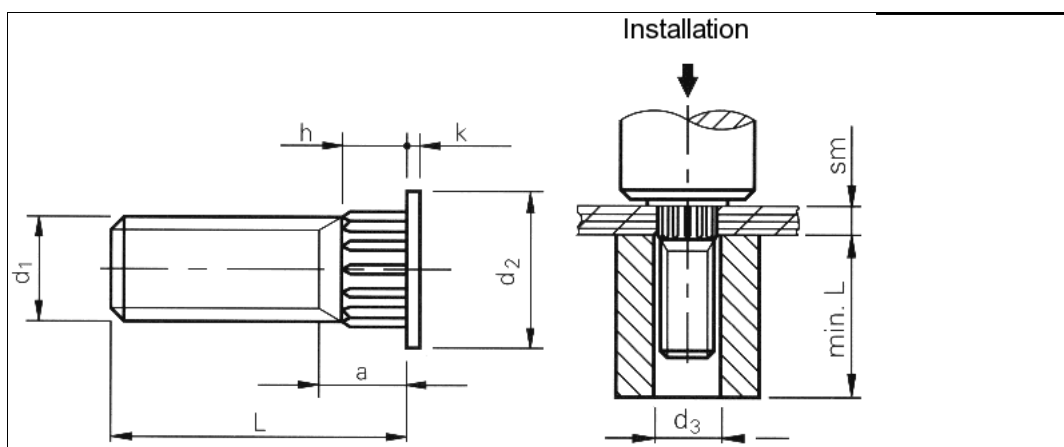


Data sheet - KFH-M2,5-12

Broaching studs for plastics



Order description	KFH-M2,5-12
Thread d1	M2.5
Hole-Ø in the plastic +0.08 0	2.6 mm
d2 ±0.25	3.85 mm
d3 +0.1 0	2.6 mm
L ±0.25	12 mm
k ±0.13	0.51 mm
Max. a	2.6 mm
Max. h	1.65 mm
Min. sm	1.53 mm
Min. edge distance up to the hole centre	2.8 mm
Material	Phosphor bronze, tin-plated for good solderability.
Use	Especially for printed circuit boards and other plastics (also for aluminium casting and magnesium) up to HRB 55.
Note	Type KFH is designed for unplated thru-hole applications. When used in plated thru-hole applications, a tolerance of +.005" - .001"/+0.13 mm -0.03 mm should be used.
Tools	
Insertion machines	