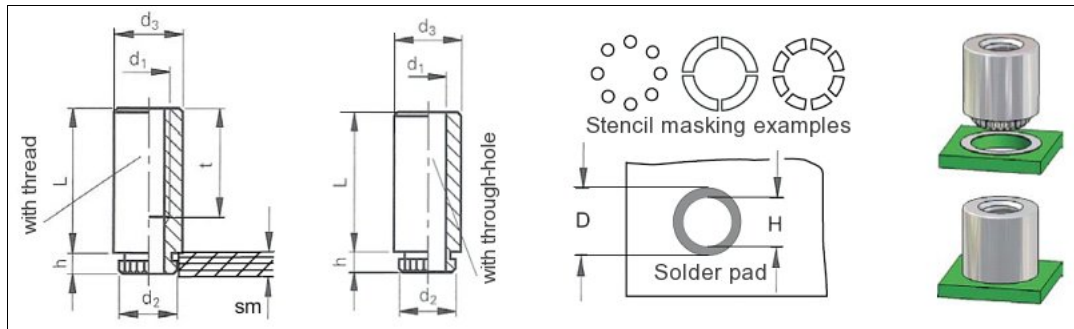


## Data sheet - KFE-M3-6 gegurtet ohne Klebepunkt Taped SMT-compliant standoffs for printed circuit boards



3D-Data available	
Version	Taped SMT-compliant standoffs for printed circuit boards.
Order description	KFE-M3-6 gegurtet ohne Klebepunkt
Thread d1	M3
Ø H in PCB +0.08 0	4.80 mm
d2 ±0.08	4.68 mm
d3 ±0.13	5.56 mm
Max. h	1.53 mm
Min. sm	1.53 mm
Min. Ø D	6.2 mm
L ±0.13	6 mm
Thread length tmin.	6 mm
Material	Tin-plated steel (conforming to RoHS).
Use	Taped version for printed circuit boards with plated through-holes and non-plated through-holes.
	<font color="#e5e5e5">.

uniform resource locator: