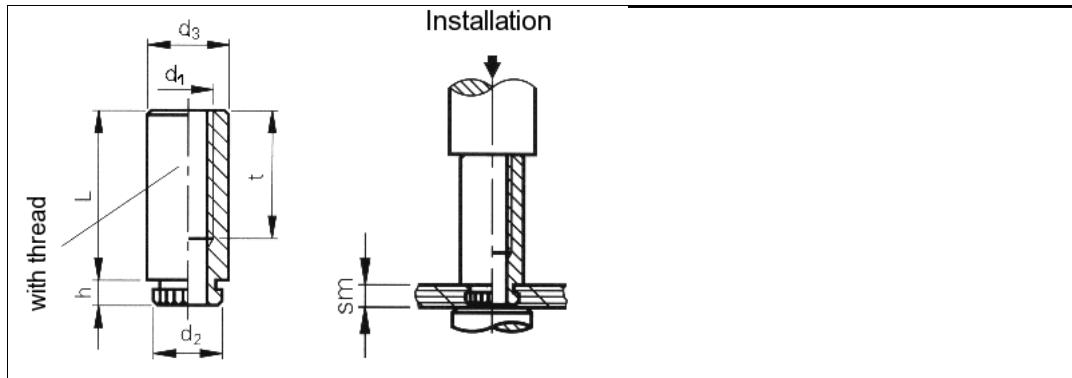


Data sheet - KFE-M3-3

Broaching standoffs for plastics



3D-Data available	
Order description	KFE-M3-3
Thread d1	M3
Hole-Ø in the plastic +0.08 0	4.20 mm
d2 ±0.08	4.68 mm
d3 ±0.13	5.56 mm
Max. h	1.53 mm
Min. sm	1.53 mm
Min. edge distance up to the hole centre	4.4 mm
L ±0.13	3 mm
Thread length tmin.	3 mm
Material	Tin-plated steel.
Use	Printed circuit boards and other plastics (also for aluminium casting and magnesium) up to HRB 60.
Note	Types KFE and KFSE are designed for unplated thru-hole applications. When used in plated thru-hole applications, a tolerance of +.005" - .001"/+0.13 mm - 0.03 mm should be used.
Tools	
Insertion machines	

uniform resource locator: