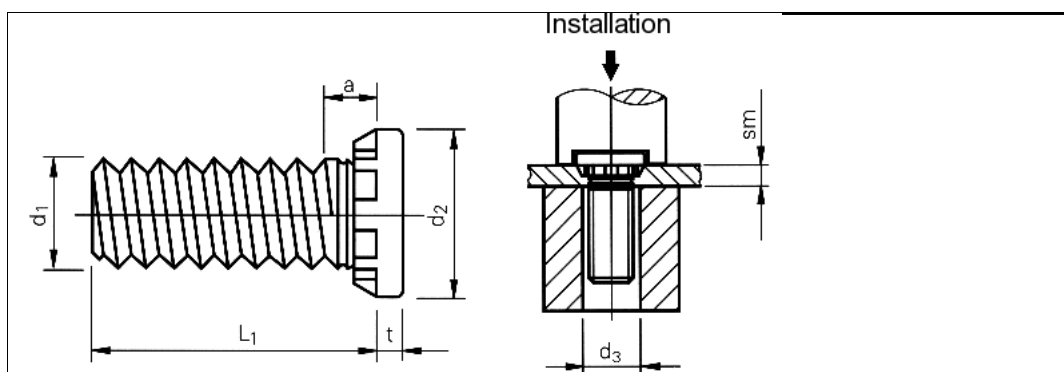


Data sheet - HFHS-M5-30

Self-clinching high-strength studs



3D-Data available	
Order description	HFHS-M5-30
Thread d1	M5
Hole-Ø in the sheet +0.13 0	5 mm
d2 ±0.25	7.8 mm
d3	5.1 mm
Max. a	2.7 mm
Max. t	1.14 mm
Min. sm	1.3 mm
L ±0.4	30 mm
Min. edge distance up to the hole centre	10.7 mm
Material	Passivated grade 18/8 stainless steel (AISI 300).
Use	For sheet hardnesses up to HRB 70.
Tools	
Insertion machines	

uniform resource locator: