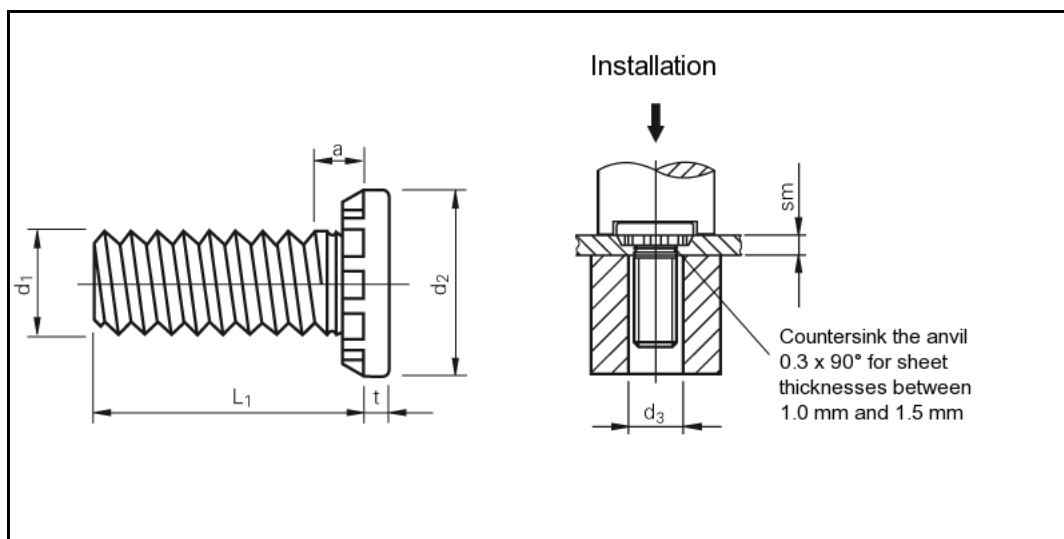


## Data sheet - HFE-M5-20

### Self-clinching studs for sheet metal



3D-Data available	
Application	High-strength studs for thin sheets. Also available with dog-point for automatic installation.
Order description	HFE-M5-20
Thread d1	M5
Hole-Ø in the sheet +0.13 0	5.00 mm
d2 ±0.25	9.6 mm
d3	5.1 mm
Max. a	2.6 mm
Max. t	1.35 mm
Min. sm	1.0 mm
L1 ±0.4	20 mm
Min. edge distance up to the hole centre	10.0 mm
Material	Grade 9.8 through-hardened zinc-plated carbon steel (other finishes on request).
Use	For sheet hardnesses up to HRB 85.
Tools	
Insertion machines	