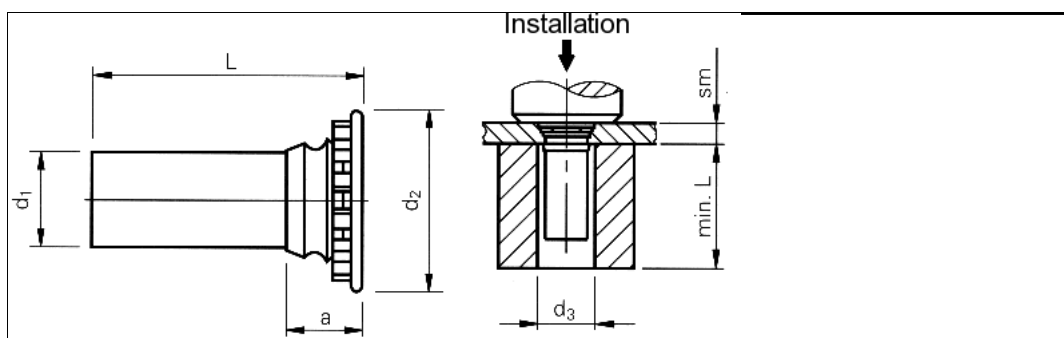


## Data sheet - FHS-3MM-20

### Self-clinching flush head pins



3D-Data available	
Order description	FHS-3MM-20
Pin d1 ±0.05	3 mm
Hole-Ø in the sheet +0.08 0	3.5 mm
d2 ±0.4	5.3 mm
d3	3.6 mm
Max. a	2.3 mm
Min. sm	1.0 mm
L ±0.4	20 mm
Min. edge distance up to the hole centre	6.4 mm
Material	Passivated grade 18/8 stainless steel (AISI 300).
Use	For sheet hardnesses up to HRB 70.
	FHA pins (bright-finished aluminium) available on demand.
Tools	
Insertion machines	

uniform resource locator: