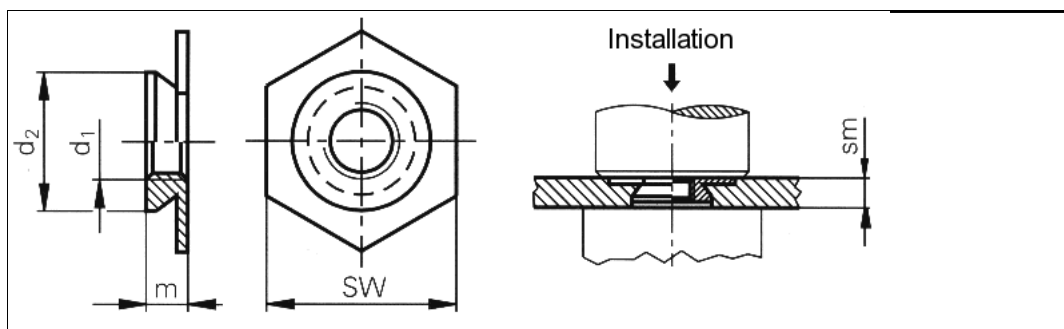


## Data sheet - F-M2-2

### Self-clinching nuts for flush installation



|  |   |
|--|---|
| 3D-Data available                        |   |
| Order description                        | F-M2-2  |
| Thread d1                                | M2  |
| Hole-Ø in the sheet<br>+0.08<br>0        | 4.40 mm   |
| Max. d2                                  | 4.35 mm   |
| sw                                       | 4.8 mm  |
| Max. m                                   | 2.30 mm   |
| Min. sm                                  | 2.3 mm  |
| Min. edge distance up to the hole centre | 6.0 mm  |
| Material                                 | Passivated grade 18/8 stainless steel (AISI 300).   |
| Use                                      | Specially suitable for thin aluminium sheets (up to a sheet hardness of HRB 70). No protrusions on either surface after installation. |
| Tools                                    |   |
| Insertion machines                       |   |

uniform resource locator: