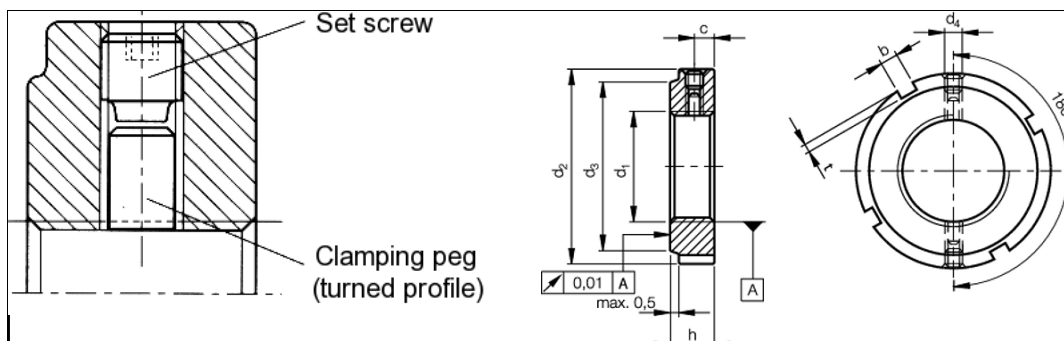


Data sheet - DRS 6x0,5 High-precision locknuts



3D-Data available	
Type	turned
Order description	DRS 6x0,5
Locking system	radial set screw
Axial runout accuracy	0.01 mm
Thread d1 4H	M6x0.5
d2	16 mm
h	8 mm
d3	12 mm
b	3 mm
t	2 mm
c	4 mm
m	M4
Weight g/part	8
Material	Steel Rm 800 - 950 N/mm ² Body black finished Bare and lubricated thread and bearing surface
	Type DAS = turned version with axial locking system on request

uniform resource locator: