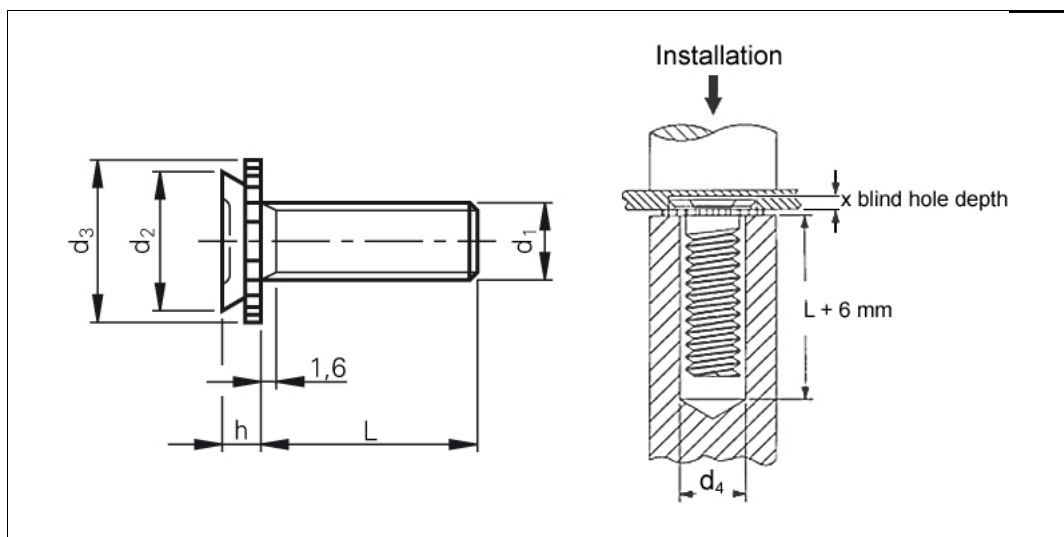


Data sheet - CFHA-M3-12

PEM® Einpressgewindebolzen für Sacklochmontage



3D-Data available	
Application	For non-visible installation, specially for rating plates, front panels and laminated keyboards.
Order description	CFHA-M3-12
Thread d1	M3
Blind hole-Ø in the sheet +0.08 0	4.4 mm
Min. blind hole depth x	1.91 mm
Max. d2	4.35 mm
d3 ±0.25	5.21 mm
d4	3.4 mm
Max. h	1.80 mm
Min. sm	2.4 mm
L ±0.4	12 mm
Min. edge distance up to the hole centre	4.0 mm
Material	Bright-finished aluminium
Use	For sheet hardnesses up to HRB 50.
Note	The hole diameter in the counter piece (part to be unscrewed) should be a maximum of $d1 + 0.5$ mm. Order HSS double-lip centre-cutting milling cutter for the respective diameter.
Tools	

Insertion machines	
--------------------	--

uniform resource locator: