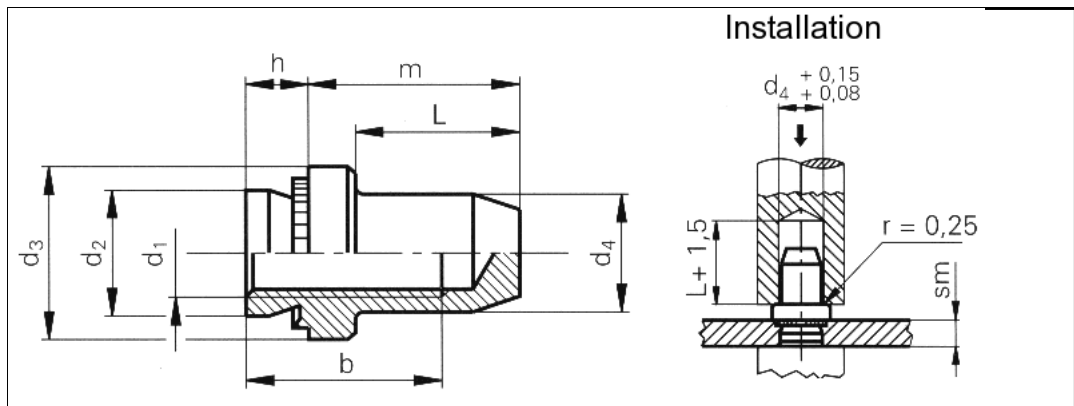


Data sheet - B-M3-1

PEM® Einpressmuttern geschlossen



3D-Data available	
Order description	B-M3-1
Thread d1	M3
Hole-Ø in the sheet +0.08 0	4.25 mm
Max. d2	4.20 mm
d3 ±0.25	6.35 mm
Max. d4	3.84 mm
Min. b	5.3 mm
Max. L	8.5 mm
m ±0.25	9.6 mm
Max. h	0.97 mm
Min. sm	1.0 mm
Min. edge distance up to the hole centre	4.8 mm
Material	Case-hardened zinc-plated carbon steel.
Use	For sheet hardnesses up to HRB 80.
Information	Closed thread end protects against contamination etc.
Tools	
Insertion machines	

uniform resource locator: