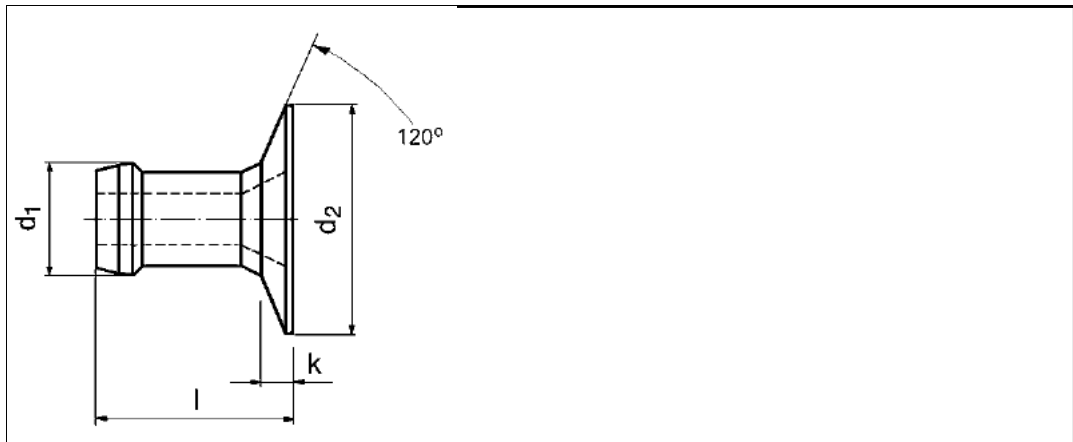


Data sheet - ACF-0403

FASTEKS® Magazinriete Typ FIXRIV



Order description	ACF-0403
d1	3.2 (3.14 max.) mm
Drill hole-Ø	3.26 - 3.34 mm
Grip range	0.64 - 1.91 mm
lmax.	3.86 mm
kmax.	0.99 mm
d2 max.	6.60 mm
Rivets per pot	59
Scherkraft	756 N
Zugkraft	1.312 N
Material	Aluminum
	Additional types on request

uniform resource locator: